

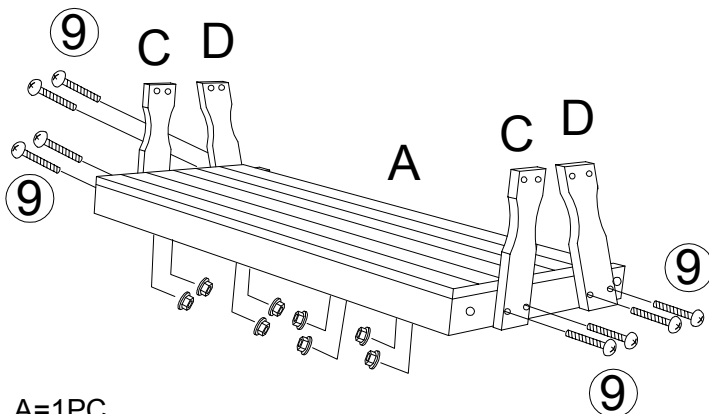
wooden swing chair assembly manual

*WAENING: Do not tighten all bolts until they pass through all bolt holes



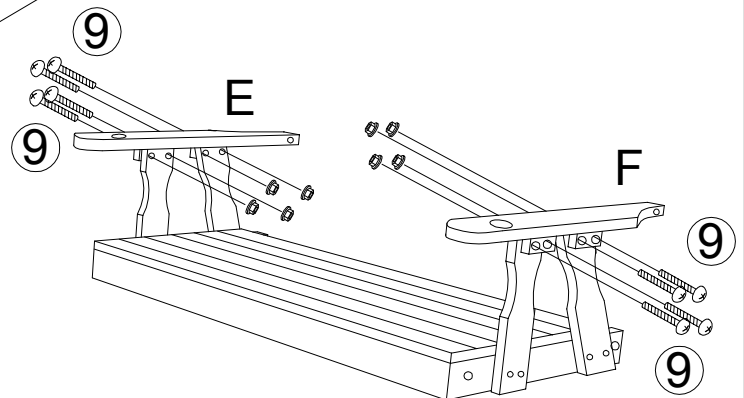
A (1pc)		B (1pc)		C (2pcs)		D (2pcs)		E (1pc)		F (1pc)					
G (1pc)		H (2pcs)		I (2pcs)		J (1pc)		K (1pc)		L (2pcs)					
M (1pc)		N (2pcs)		O (4pcs)		P (2sets)		Q (2pcs)		R (1pc)					
S (1pc)		① (2sets)		② (2sets)		③ (2sets)		④ (8sets)		⑤ (2sets)		⑥ (2pcs)		⑦ (2pcs)	
⑧ (2sets)		⑨ (18sets)		⑩ (2sets)		⑪ (16pcs)		⑫ (2sets)		⑬ (4pcs)		TOOL			
⑧ (2sets)		⑨ (18sets)		⑩ (2sets)		⑪ (16pcs)		⑫ (2sets)		⑬ (4pcs)		TOOL			
8X95mm		6X55mm		6X55mm		3.5X45mm		10X120mm		8X65mm		M17		M14 M10	

1



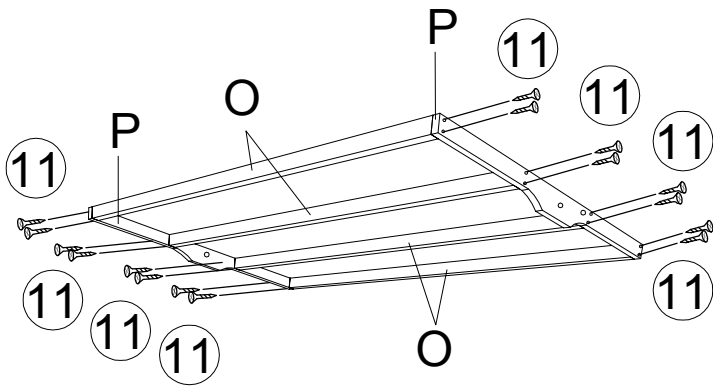
A=1PC
C=2PCS
D=2PCS
⑨=8SETS

2



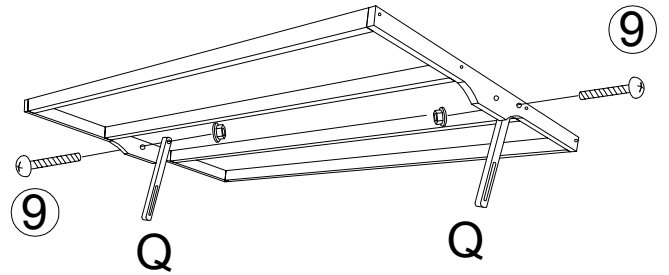
E=1PC
F=1PC
⑨=8SETS

9



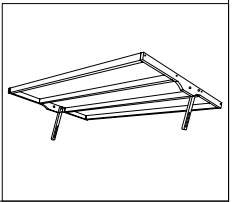
O=4PCS
 P =2SETS
 11 =16PCS

10



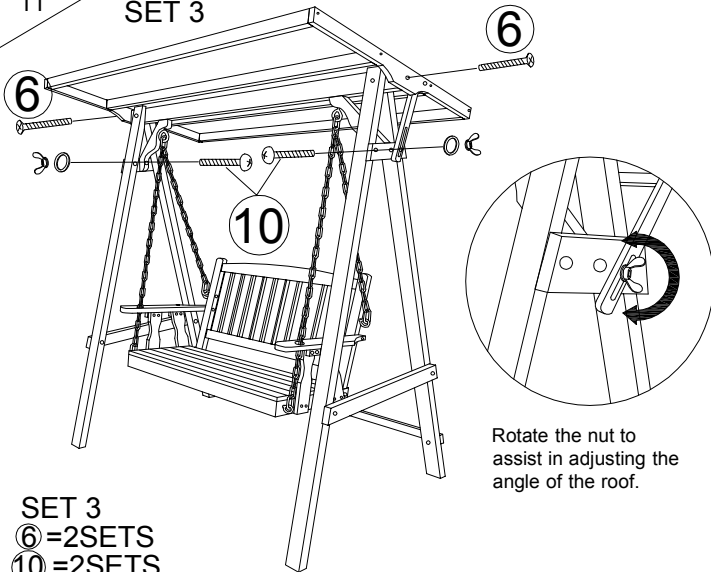
Q=2PCS
 9=2SETS

SET 3



11

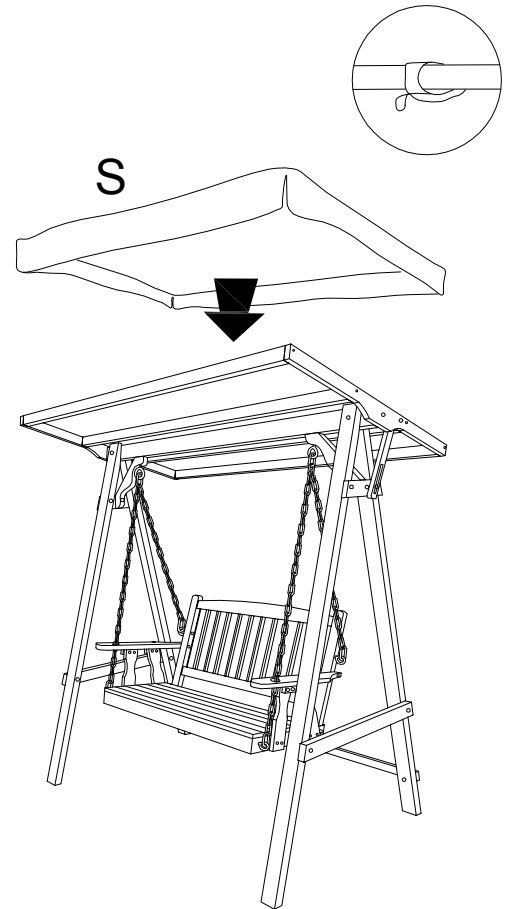
SET 3



Rotate the nut to assist in adjusting the angle of the roof.

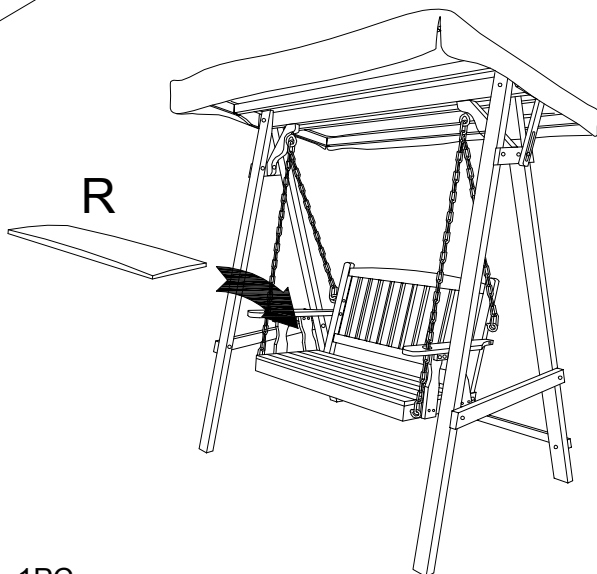
SET 3
 6=2SETS
 10=2SETS

12



S=1PC

13



R=1PC