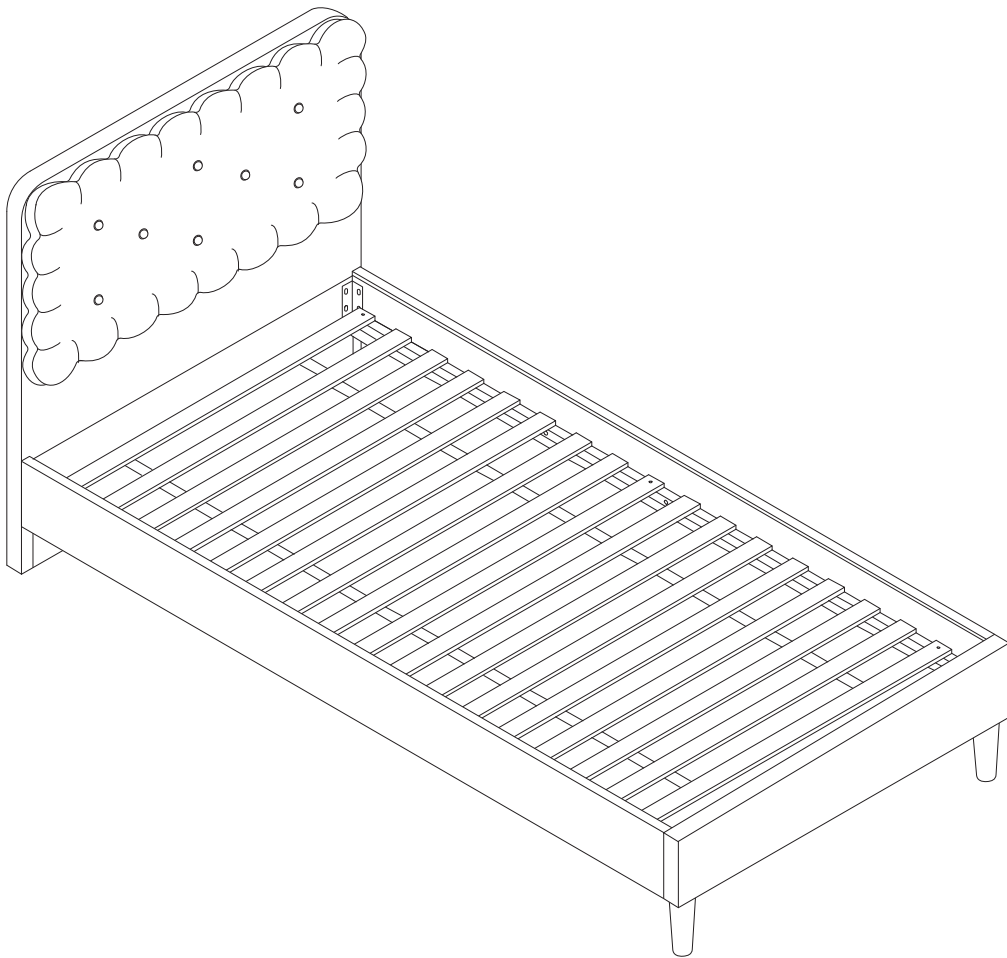


# CORSAINT



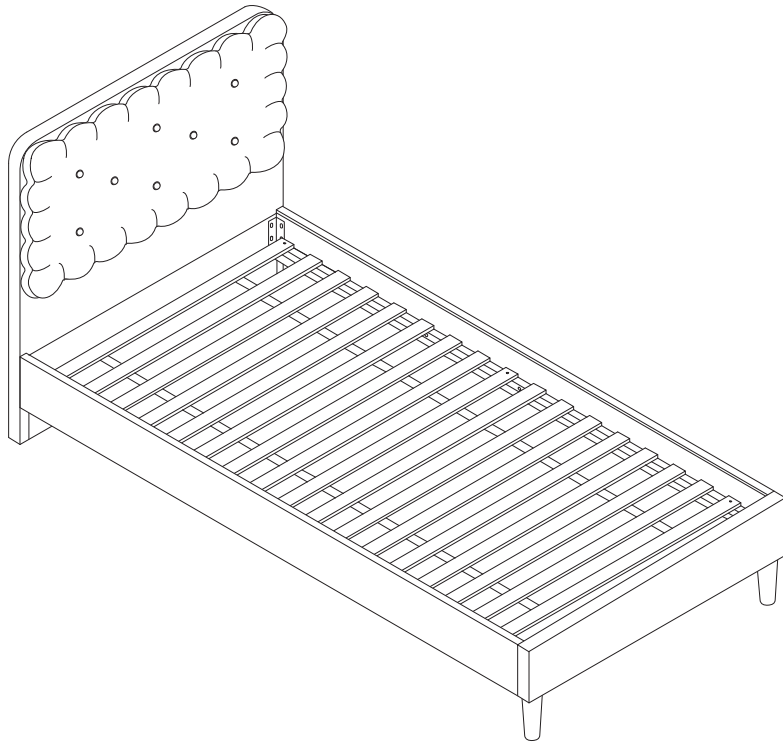
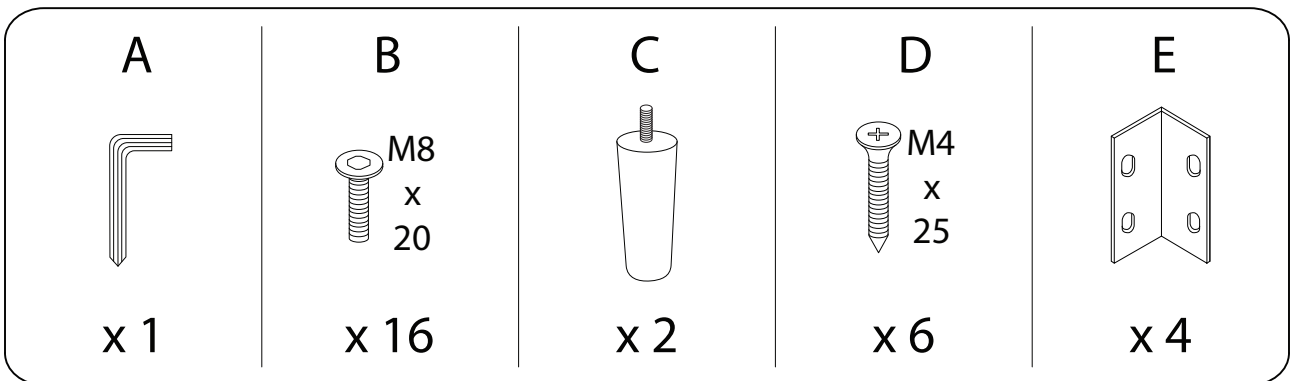
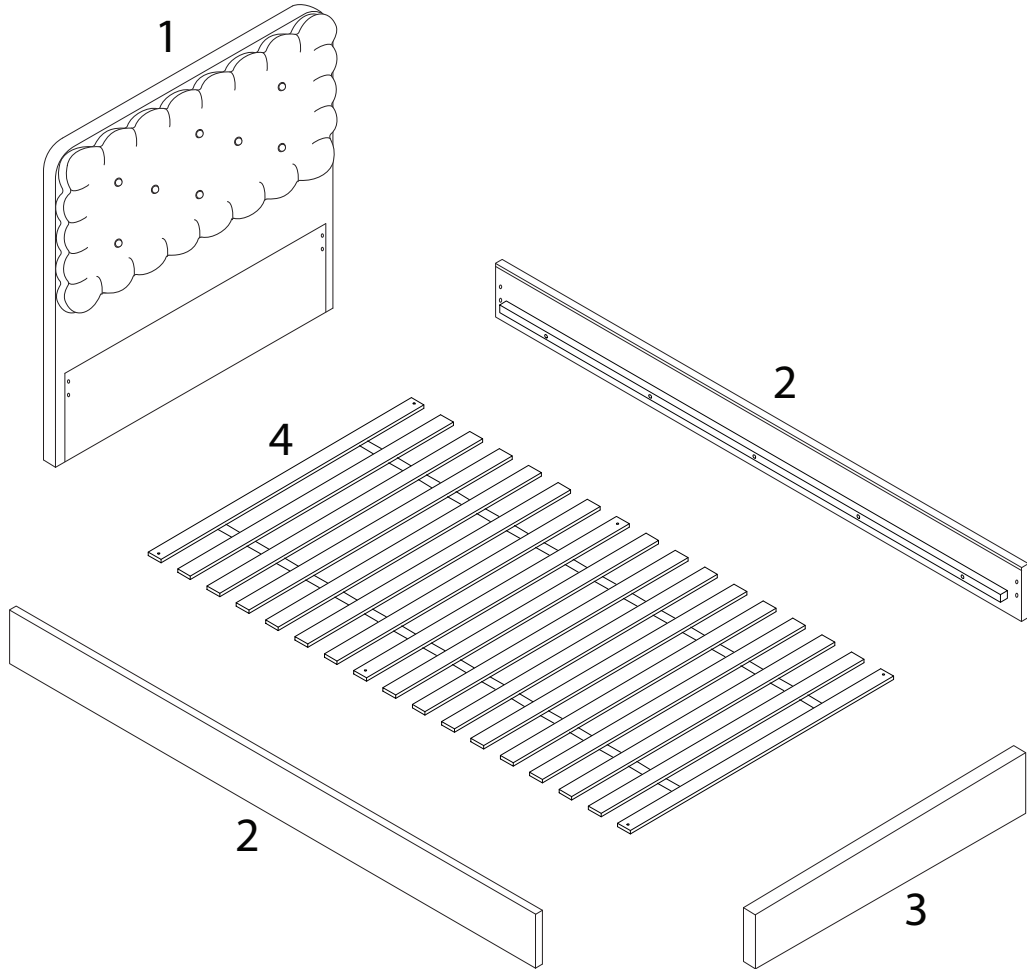
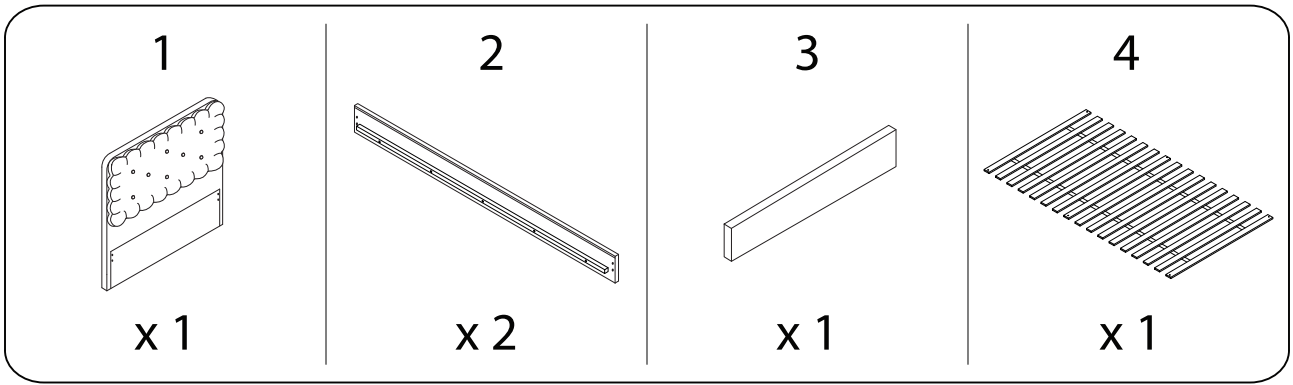


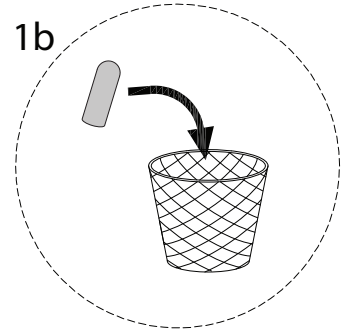
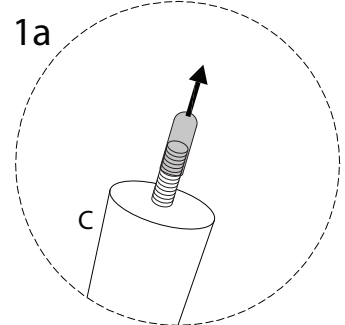
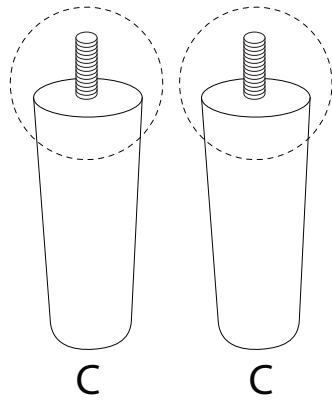
Diagram illustrating assembly instructions and safety warnings:

- Warning 1:** A triangle with an exclamation mark. To its left, a circular inset shows an L-shaped metal bracket. Next to it is a power drill with a diagonal line through it, indicating that a power drill should not be used for this step.
- Warning 2:** A triangle with an exclamation mark. To its left, a circular inset shows a rectangular block being placed on a surface. Next to it is a diagram of a block with a diagonal line through it, indicating that the block should not be placed on an uneven or soft surface.
- Time:** A clock icon with a circular arrow, indicating a 20-minute assembly time.
- Personnel:** An icon of a person, indicating that 2 people are required for assembly.

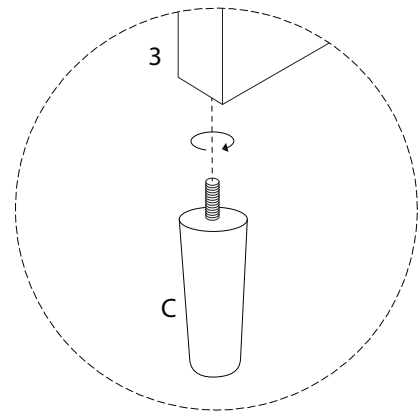
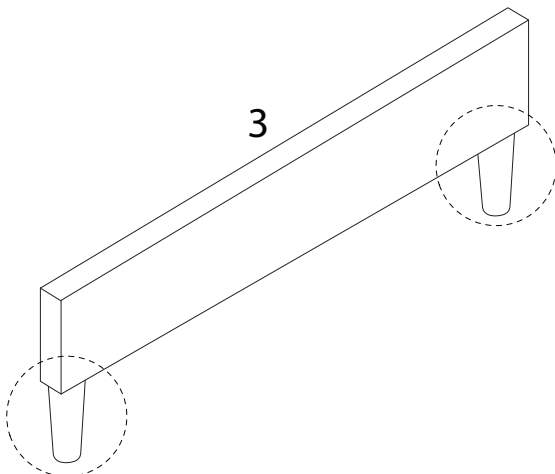
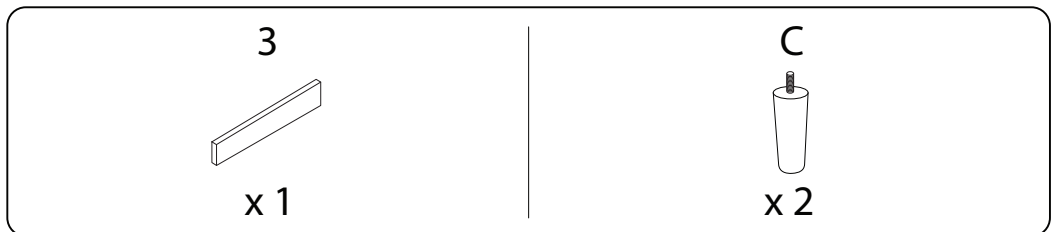
1/4



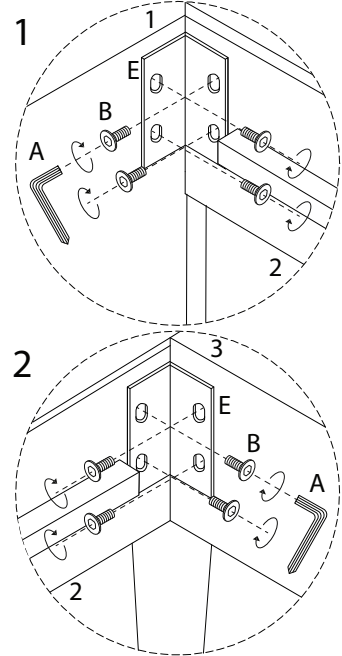
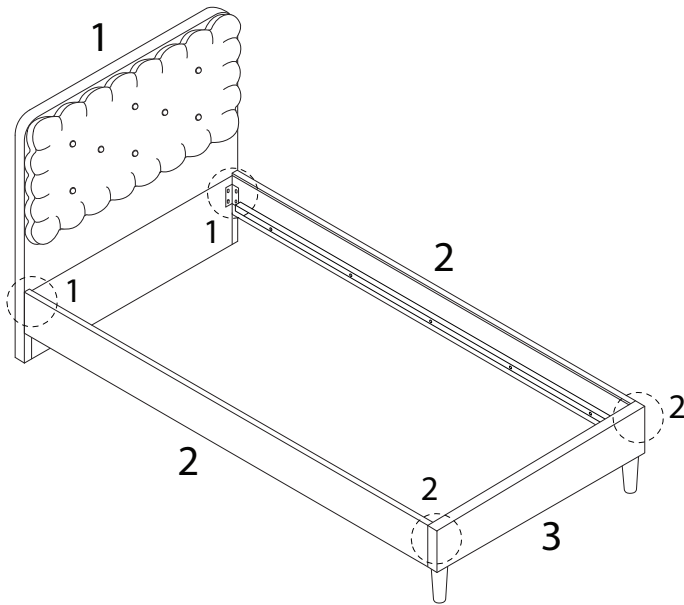
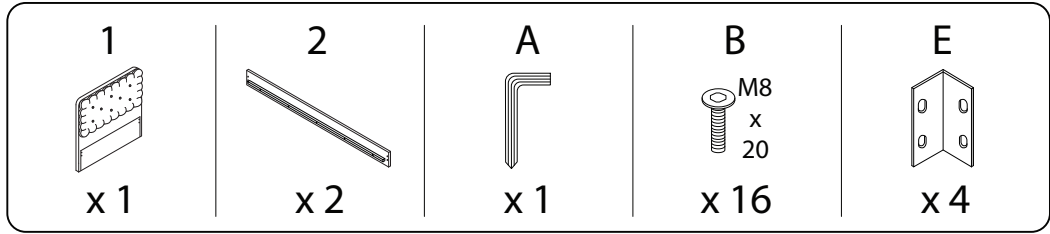
!



1



2



3

