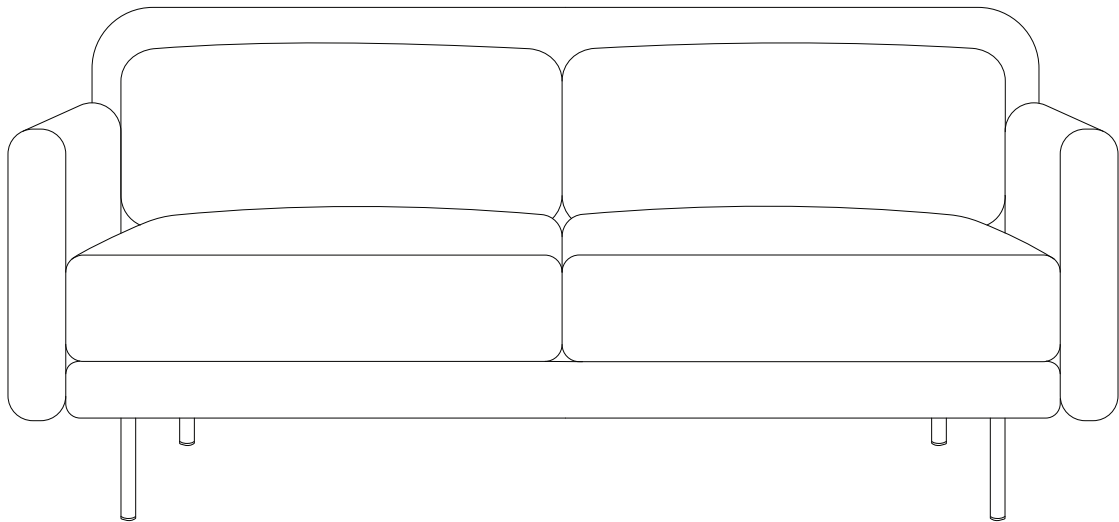


# LILAND



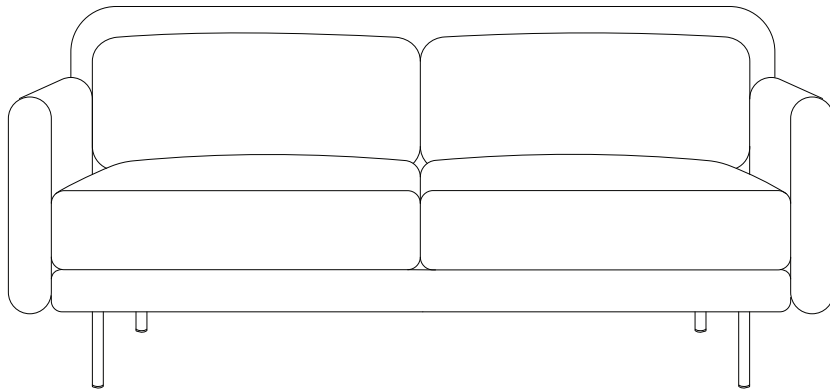
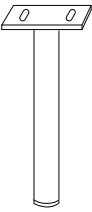
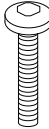
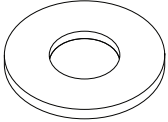

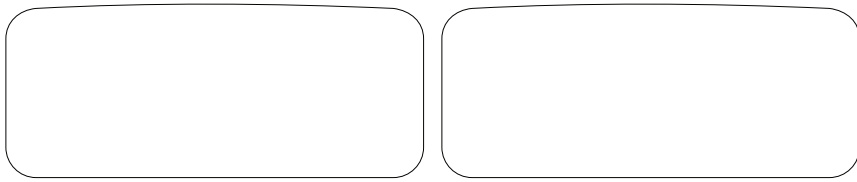


Diagram illustrating assembly instructions and safety warnings:

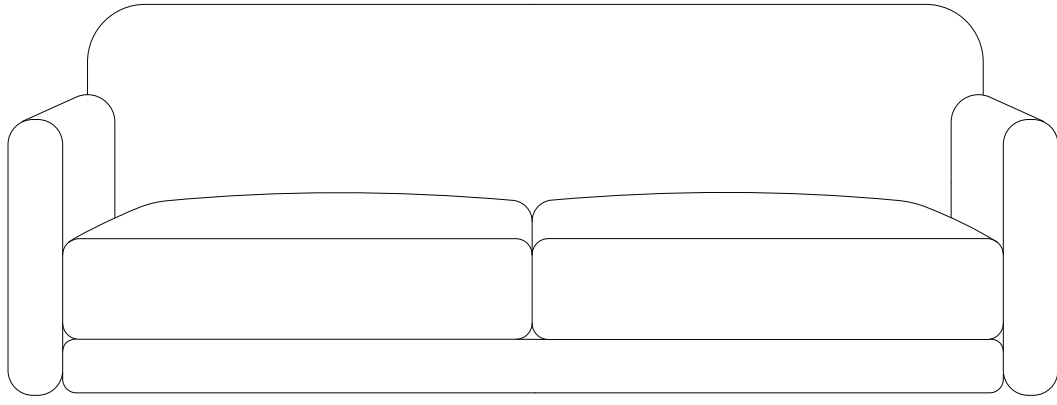
- Top Section:** Shows an L-shaped bracket and a power drill with a slash through it, indicating that a power drill should not be used. A warning triangle with an exclamation mark is positioned to the right.
- Bottom Section:** Shows a rectangular block being placed on a surface and another block being secured with a screw. A warning triangle with an exclamation mark is positioned to the right.
- Timing:** A clock icon with a circular arrow and the text "10'" indicates a 10-minute assembly time.
- Personnel:** An icon of a person and the number "2" indicate that two people are required for assembly.

<p><b>A</b></p>  <p><b>x 4</b></p>	<p><b>B</b></p>  <p>M4 x 30</p> <p><b>x 8</b></p>	<p><b>C</b></p>  <p><b>x 8</b></p>	<p><b>D</b></p>  <p><b>x 1</b></p>
---	--	--	---

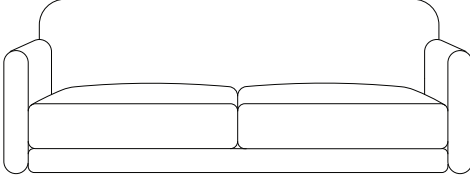

**F x 2**



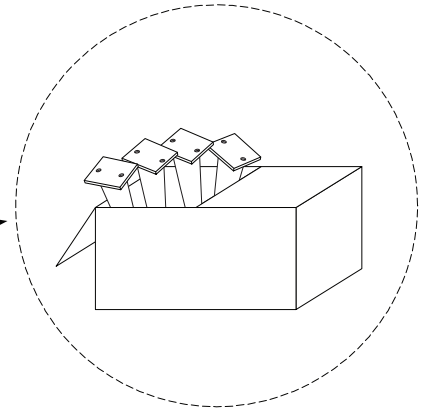
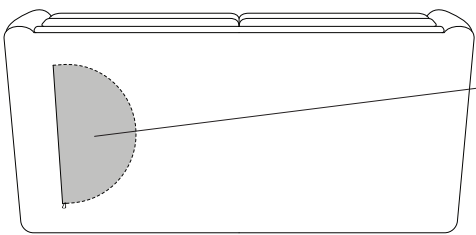
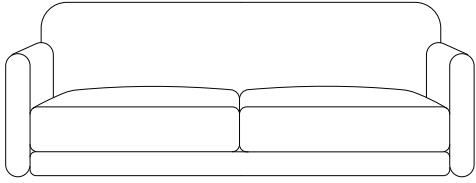
**E**



**A x 4**

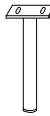
<p><b>E</b></p>  <p><b>x 1</b></p>	<p><b>F</b></p>  <p><b>x 2</b></p>
---	--

!



1

A



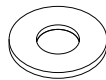
x 4

B



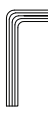
x 8

C



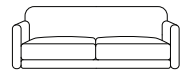
x 8

D

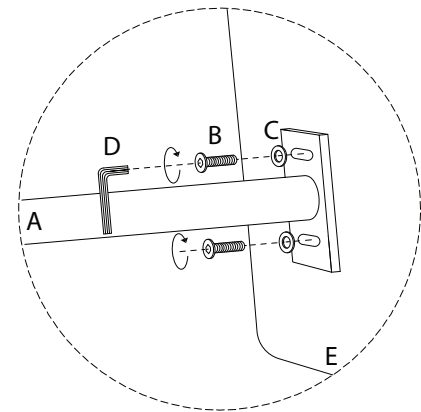
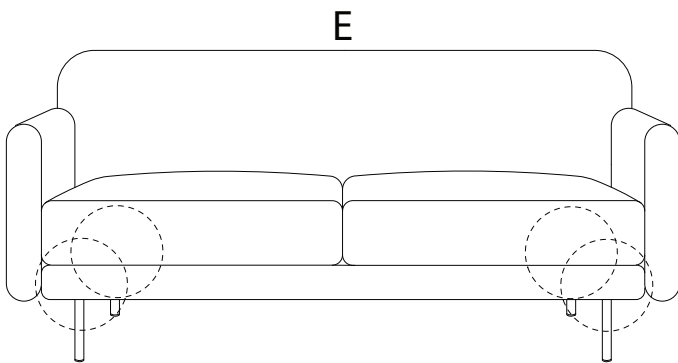


x 1

E



x 1



2

